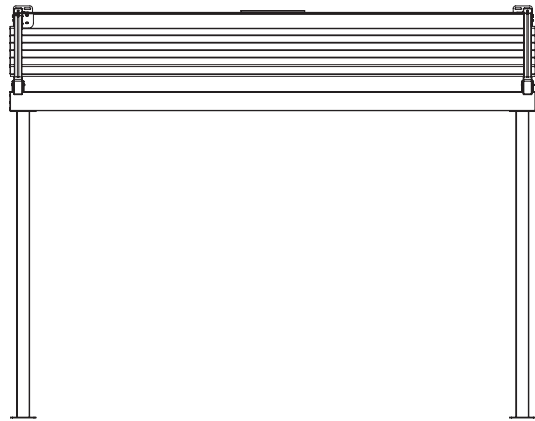
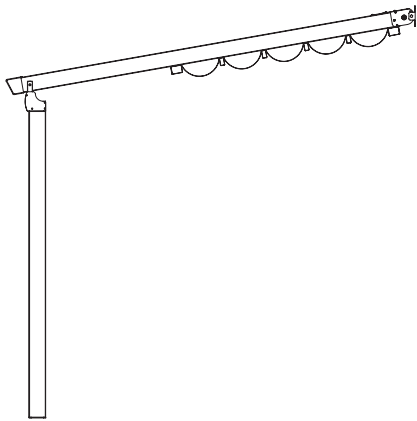
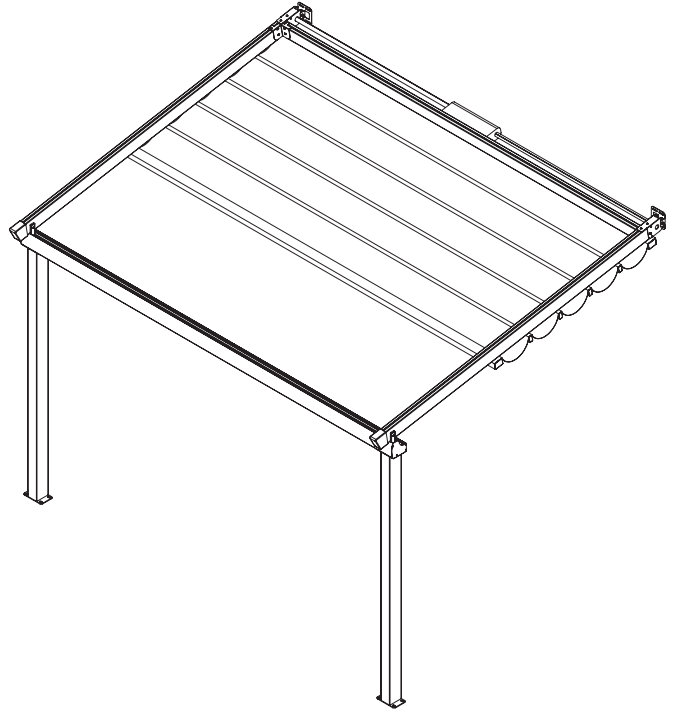
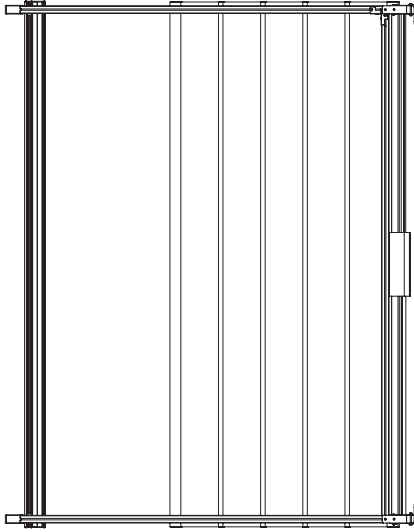


# Omega Pergola

## OVERVIEW

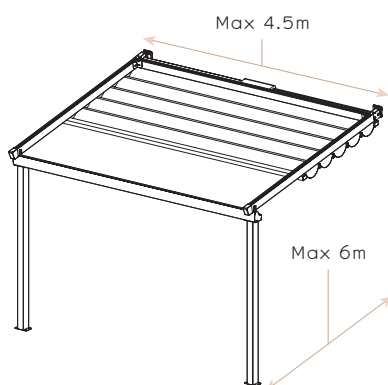


Architecturally inspired retractable pergola that offers outdoor sun & rain protection at the push of a button. Engineered with European technology and elegant design features with versatile installation options to integrate into any outdoor space. Components are aluminium and stainless steel paired with a high quality PVC membrane skin and intelligent Somfy automation.

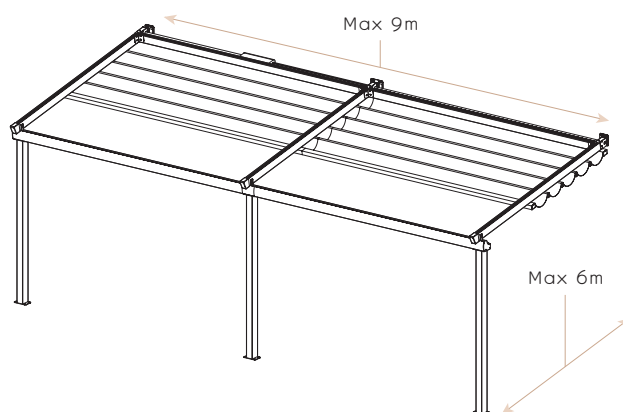
# Omega Pergola

## PERGOLA DIMENSIONS

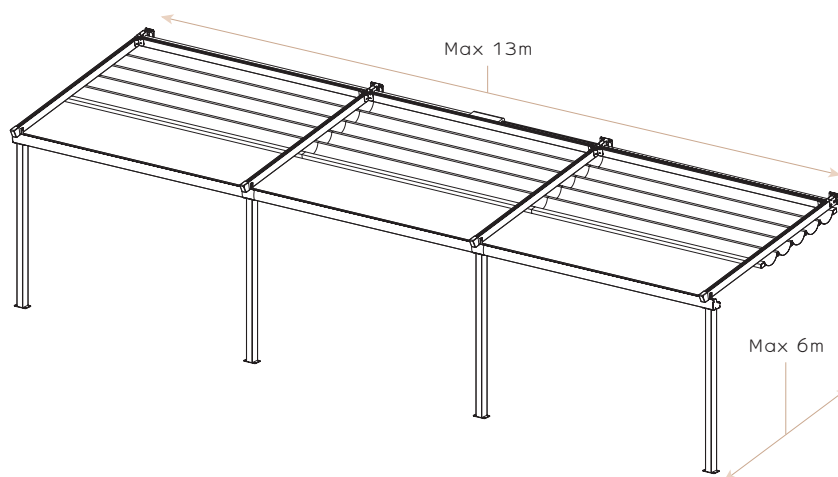
**ONE MODULE**  
Up to 4.5m wide  
x 6.0m projection



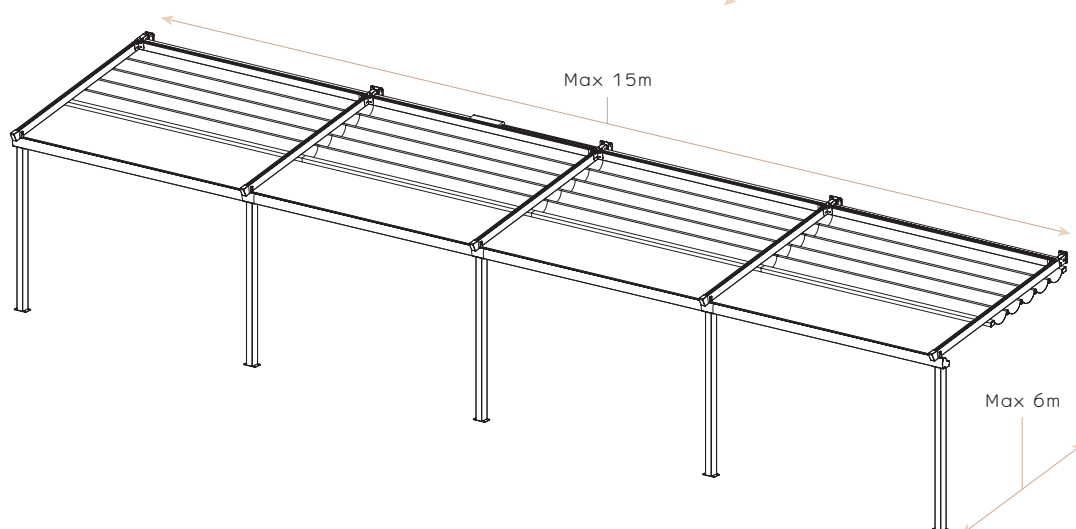
**TWO MODULE**  
Up to 9.0m wide  
x 6.0m projection



**THREE MODULE**  
Up to 13.0m wide  
x 6.0m projection

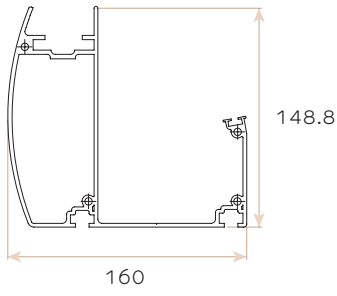


**FOUR MODULE**  
Up to 15.0m wide  
x 6.0m projection

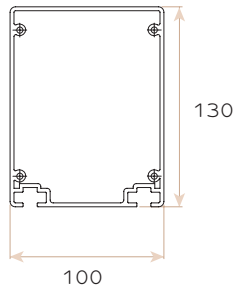


# Omega Pergola

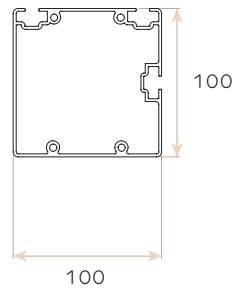
## PROFILE DIMENSIONS



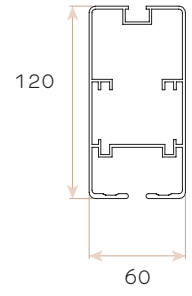
1 GUTTER



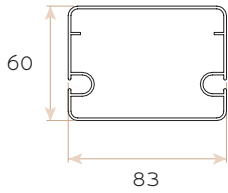
2 POST



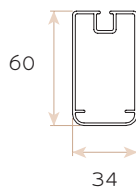
3 RETURN BEAM



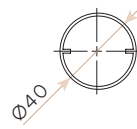
4 RAFTER 120 (mm)



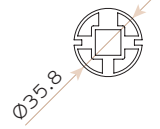
5 COUNTER WEIGHT



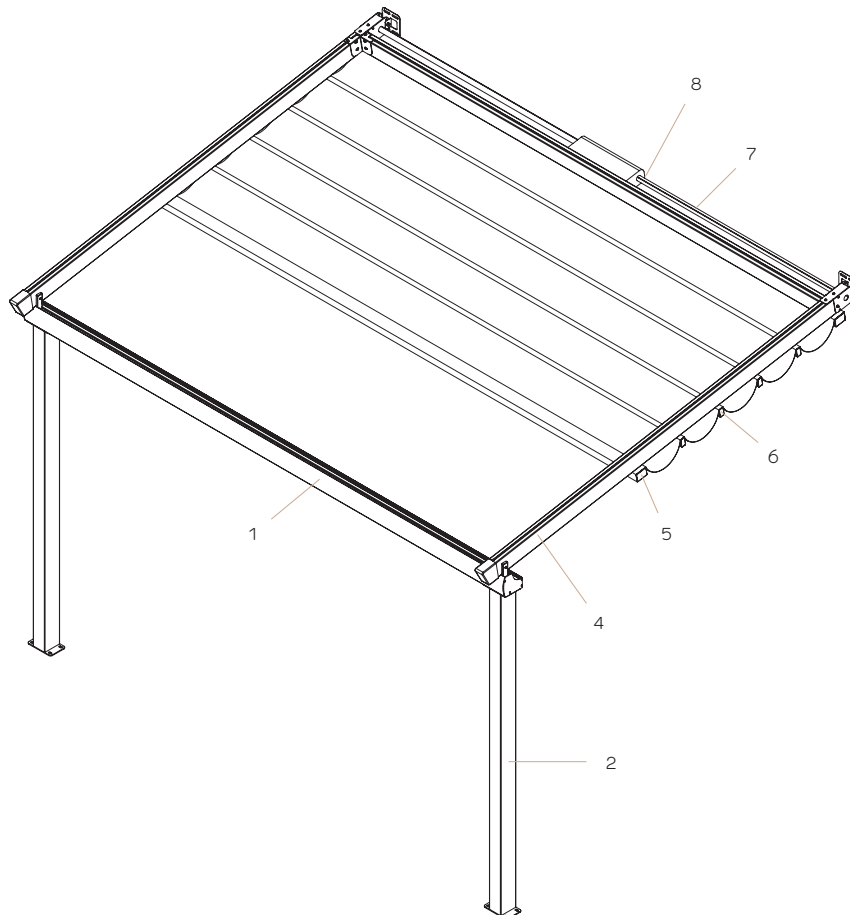
6 SKIN PROFILE



7 GEARBOX TUBED

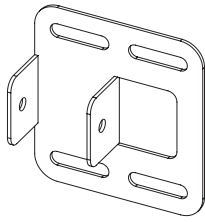
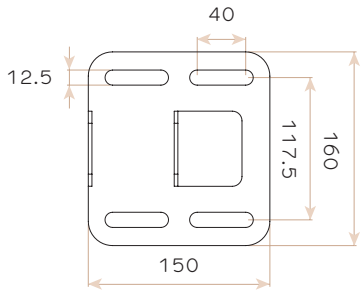


8 DRIVE TUBE

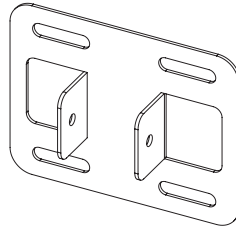
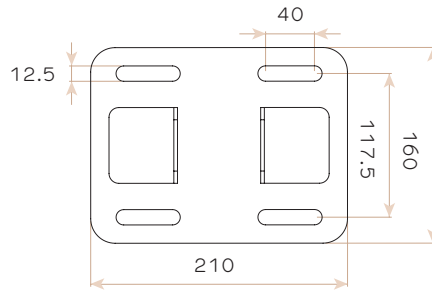


# Omega Pergola

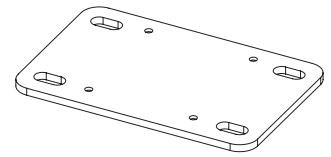
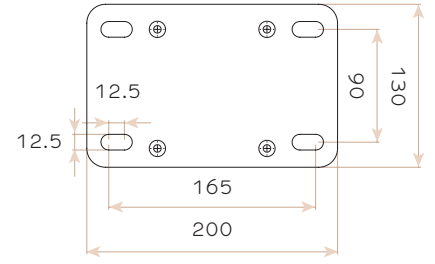
## MOUNTING OPTIONS



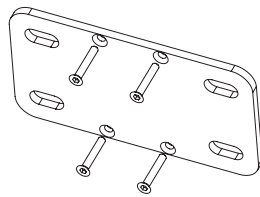
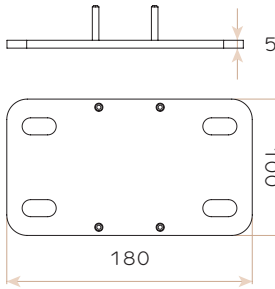
1 OUTSIDE BRACKET



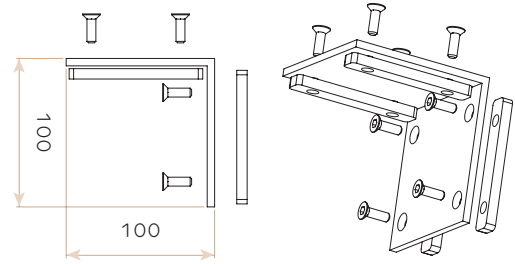
2 MIDDLE BRACKET



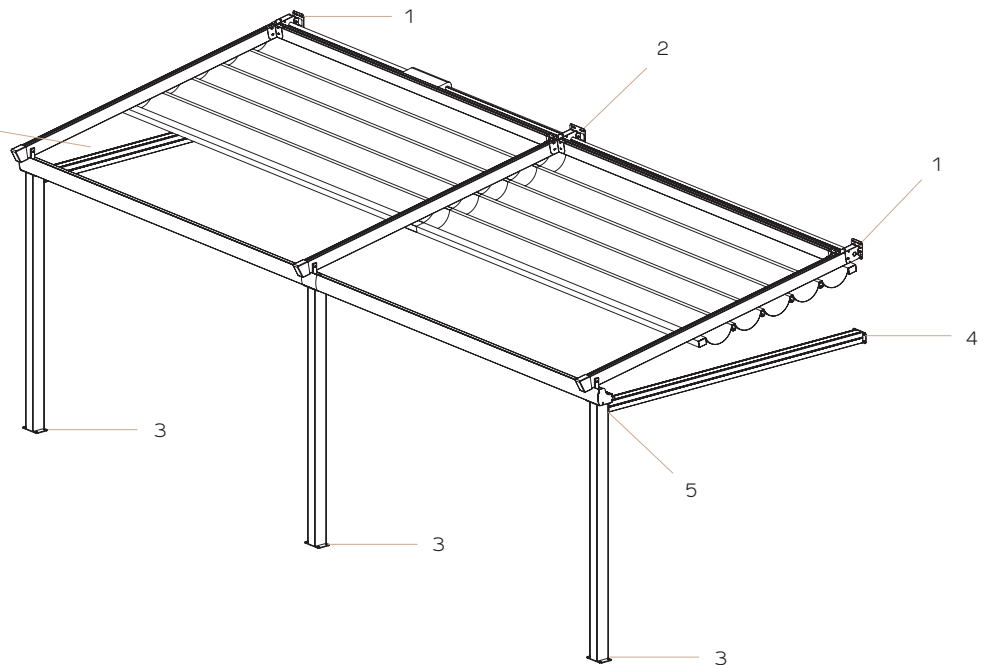
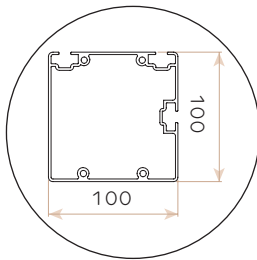
3 POST FOOT



4 RETURN BEAM WALL BRACKET

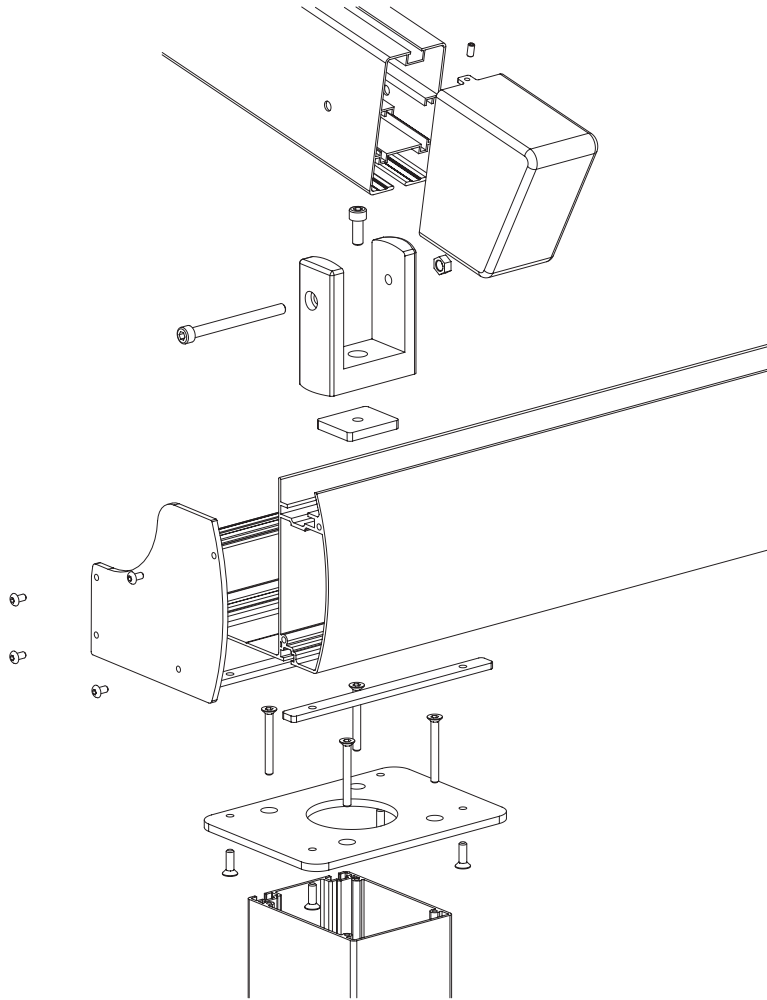


5 RETURN BEAM CORNER PLATE

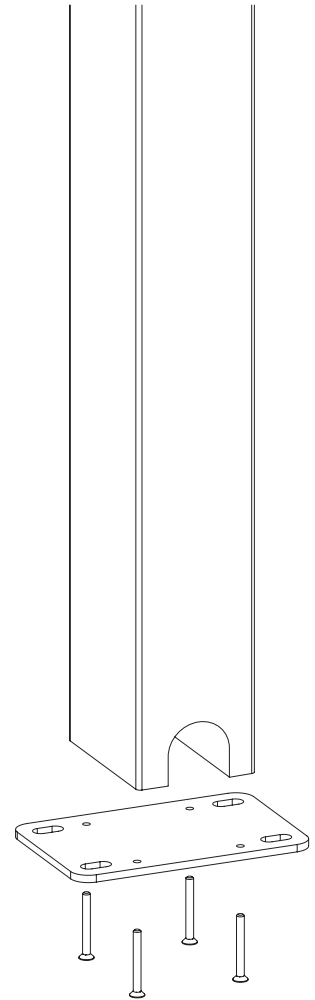


# Omega Pergola

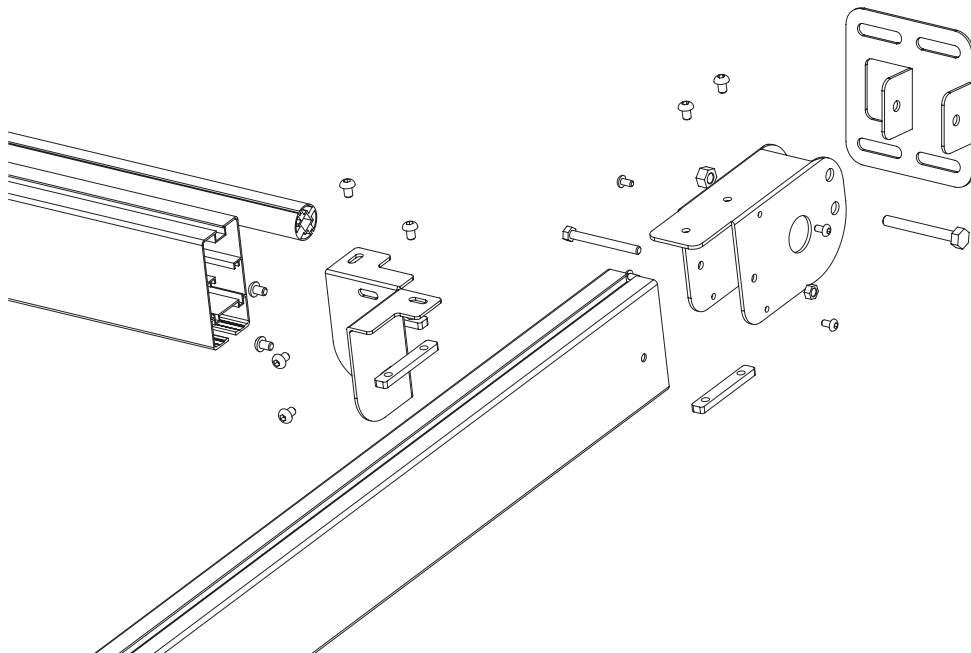
CONNECTION DETAILS  
RAFTER / GUTTER / POST CONNECTION



CONNECTION DETAILS  
FOOT / POST CONNECTION

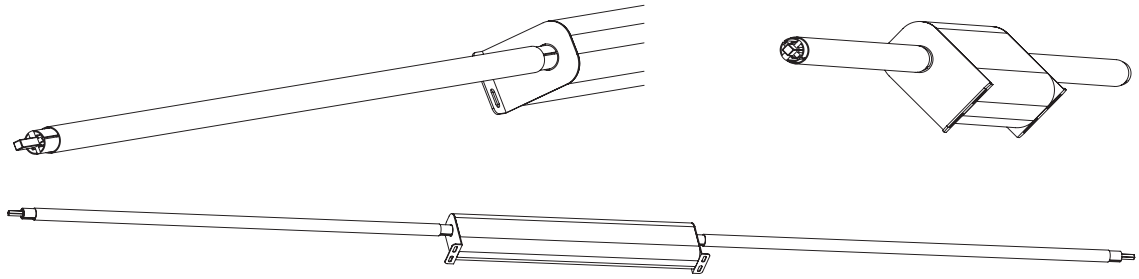


CONNECTION DETAILS  
MOUNTING BRACKET / RAFTER SLEEVE CONNECTION

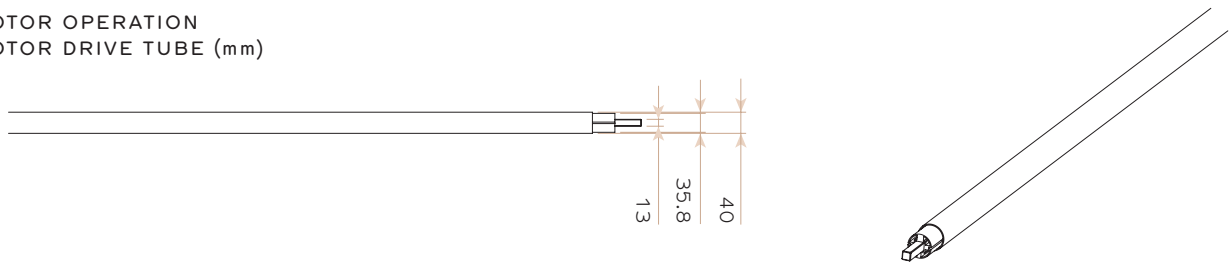


# Omega Pergola

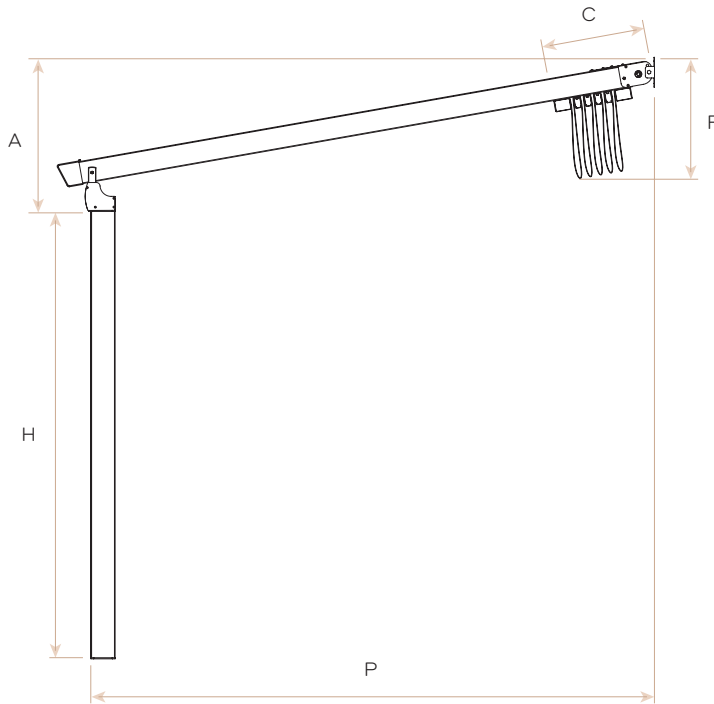
MOTOR OPERATION  
MOTOR GEARBOX



MOTOR OPERATION  
MOTOR DRIVE TUBE (mm)



HEIGHT / PITCH DIAGRAM (mm)



Dimensions  
in millimetres  
(approximate)

\* Top of wall bracket  
to bottom of gutter.

\*\* Fabric stack  
including rafter  
is approximately  
325mm – 375mm.

OMEGA 120

| PROJECTION | (P) | FABRIC HEIGHT ** | (F)  | HOOD | (C) | FALL * | (A) | SKIN PROFILES |
|------------|-----|------------------|------|------|-----|--------|-----|---------------|
| 2500       | 430 | 500              | 650  | 4    |     |        |     |               |
| 3000       | 445 | 550              | 720  | 5    |     |        |     |               |
| 3500       | 460 | 550              | 800  | 5    |     |        |     |               |
| 4000       | 475 | 600              | 870  | 6    |     |        |     |               |
| 4500       | 490 | 650              | 950  | 7    |     |        |     |               |
| 5000       | 505 | 700              | 1020 | 8    |     |        |     |               |
| 5500       | 520 | 750              | 1100 | 9    |     |        |     |               |
| 6000       | 535 | 800              | 1170 | 10   |     |        |     |               |

# Omega Pergola

## MODULES

